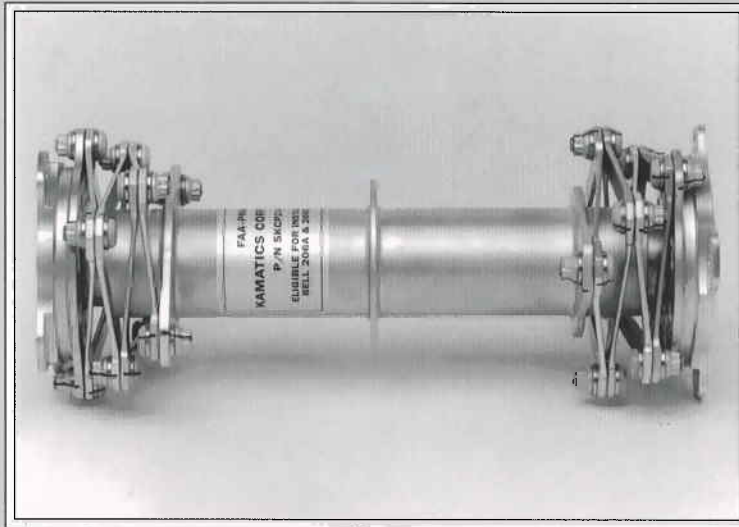


KAflex[®] DRIVESHAFT

206B

SKCP 2782

Kamatics has received FAA Certification for its 206B KAflex Main Rotor Driveshaft, applicable to BOTH Rotor Brake and Non-Brake Installations.



SKCP 2782

- No lubrication or maintenance
- Long service life
- No temperature tapes
- Ease of inspection
- Repairable
- Fail-safe

The Model 206B KAflex Driveshaft installation, P/N SKCP2782-1, is available "In Stock" directly from Kamatics Corporation

The 206B KAflex driveshaft incorporates the same design and construction utilized in over 20,000 driveshafts presently in helicopter operation worldwide. Other helicopters with KAflex driveshafts include the 205, UH-1, OH-58, AH-1, 206B, 206L, 206L4, 407, MD500 Series, MD520N, MD600N, BO105, EH-101, and NH-90.

The KAflex driveshaft, introduced into the U.S. Army inventory in 1978 with the conversion of its large UH-1 fleet, eliminated the need for lubricating and maintenance. Due to its excellent performance, it was designated an "on condition" item with no service life limitation. The 6,500 UH-1 KAflex driveshafts in service throughout the world have accumulated more than 20 million flight hours over the past 18 years; many have over 5,000 hours. The "lead the fleet" unit, installed in 1976, is still flying with over 10,000 hours!

KAflex - Outstanding Performance and Proven!

KAflex Driveshafts

Products of

Kamatics Corporation

KAMAN



Model 206B KaFlex Driveshafts

